

EnvisionWeb is a web based tool that generates a graphical user interface allowing the control of lighting, blinds and HVAC within a building. Each user has a dedicated password which gives them access to specific areas within the building providing the user with a simple interface that only presents controls relevant to that user.

EnvisionWeb can be included in the initial design of a Philips Dynamalite system or easily added to an existing installation at any time to provide a modern interface and give the system a new lease of life. With access from either the local network or via the internet, any user with a web enabled device can access the system, view its current state and if required, make changes from wherever they may be in the world.

EnvisionWeb resides on the client's IP network ensuring both low cost installation and operation. The IP network also allows for interaction with the clients building management system either through a hard wired connection or wireless access points.

Suitable for a broad spectrum of market segments, EnvisionWeb can be utilized on commercial projects to allow authorised users to control their local lighting or manage after hours functions, directly from their desk or phone. Retail businesses can give tenants control of their lighting via their own web enabled devices to control both general and display lighting. Users are also able to modify and save lighting scenes to suit the latest display layouts.

Philips Lighting Control systems offer unlimited flexibility in installations that range from apartment blocks to large commercial campuses. Access control management needs to be well managed and easy to maintain – EnvisionWeb is able to grant control access to specific areas for each user, giving the user a clutter-free interface and preventing unintentional system state changes. With unlimited user accounts available and multi-level control options, EnvisionWeb gives any project a protected state of the art control interface, without the need of any additional hardware.

## technical data



### Hardware Requirements

Hardware Platform: PC  
Processor: Minimum 2Ghz Dual Core  
Hard Disk: Minimum 10Gb free space  
System Memory: Minimum 4GB RAM  
Processor: Two Core 2 Duo 2.6 GHz processors or higher  
RAM: 4 GB or higher  
Disk Space: 50 GB  
Network Port: 1x Ethernet NIC

### Web Server

IIS 7.0 or higher

### Web browsers supported

Firefox 9.0 or higher  
Chrome 17 or higher  
Safari 4 or higher  
IE 8 or higher

### Operating Systems Supported

Windows Server 2008  
Windows 7  
Windows Server 2008 R2

### Client Interfaces

Both PC and Mobile device interfaces are available

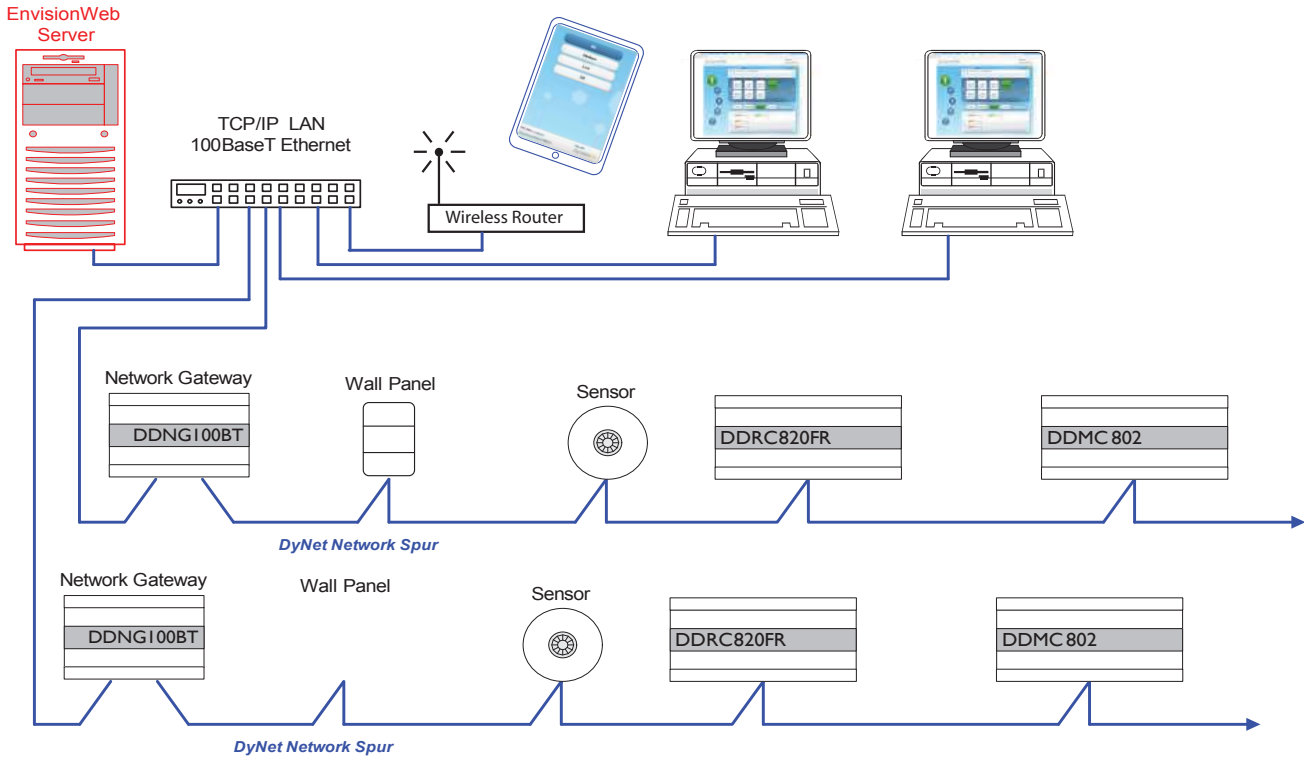
### Client Security

Rights configurable on a User basis.

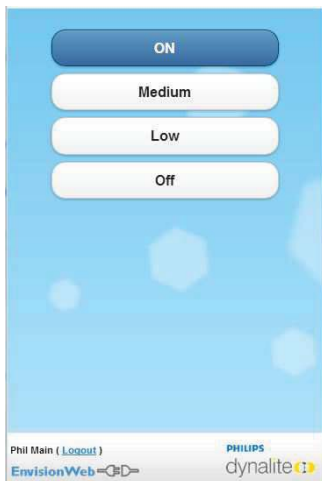
### Ordering Information

Software available through Regional support.

typical application >>>



Mobile App view >>>



Web Browser view >>>



For further information contact:



Specialists in Lighting Control & Building Automation

For further information please contact us on:

Ph : 07 3357 1922

Fax : 07 3357 9189

Email : [lightingcontrol@ssqld.com.au](mailto:lightingcontrol@ssqld.com.au)

Web : [www.ssqld.com.au](http://www.ssqld.com.au)