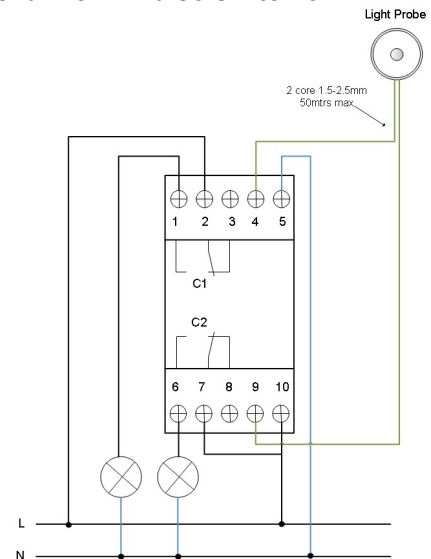


# ASTRO-LUX-TIME Controller

Finally, time clock and PE control from one unit!

This unit has two channels and allows control based on time, astronomical time (sunrise, sunset) or lux measurement or a combination of all of them from a single unit.

As an example channels can be set to switch on at sunset then off at a specified time, but for safety should the light level during the day drop below a certain set point the channel will also switch on.



## KEY FEATURES

- Time, astronomical & PE switching from one unit, so no more need to wire multiple devices together to try and get them to work in conjunction with one another
- 2 x 16A potential free change over relay contacts, featuring zero crossing circuitry for increased relay life
- Replaceable lithium battery for memory back-up that can be changed with out removing the item from the DIN installation
- Sunset and sunrise times are automatically calculated by inputting the latitude and longitude of the installation
- Remote programming key can be used to copy program to multiple units
- Easy to use backlit display for daily, weekly or holiday programming
- Built in hour counter for circuit run time

Technical Specifications	
Power Supply	230VAC 50HZ + / - 10%
Max Load	N.O. contact 16(10)A, N.C. 16(2)A
No. of Programs	45 on & off
Light Level Adjustment	0 - 1000 lux
Power Consumption	6VA
Charge Reserve	6 years with replaceable lithium battery
Min Switching Interval	1 minute
Mounting Type	Din rail for controller, surface mount for light probe
Distance light probe from controller	50mtrs Max
Ordering Codes	Controller: Smartscape 11O4291, Light Probe: Smartscape 1PR6092 Programming Key: Smartscape 1PREMD01
Approvals	CE LVD/EMC EN60730-2-7