



**AXA  
DESIGN**

## AXA-TIOM

Tiny Input Output Module

1 x 5-12VDC Input 1 x Volt Free Relay Output Module



### INTERFACES

The AXA DESIGN range of interfaces is engineered to provide a broad scope of solutions for bridging the gap between various technologies and products. Everything from your iPhone or iPod to a garage door, this range of interfaces has it covered. If it's not on the list it's probably being developed as you read this. Visit the website for the latest news and information on the full range of products.

### AXA-TIOM

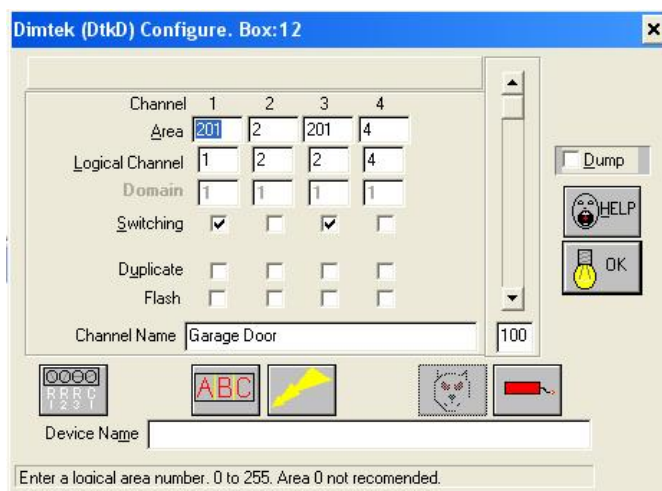
The AXA-TIOM is intended for use where low voltage low current contacts are required to trigger third party devices like Gate Latches, Garage Door Controllers, Curtain Controllers, and Damper Motors. One relay output is available and one 5-12V DC input is available (optically isolated). The relay can be set to latching and the inputs manually interrogated. Alternatively the relay can be set to pulse and the internal logic will monitor input one and pulse the relay only if necessary.

### CONTROL

Accommodates the latest in smart control and automation systems by being controllable via DyNet and RS485

### COMPACT

The AXA-TIOM is a compact device and as such can be installed in tight positions local to the devices it is providing an interface with, or alternatively in the main equipment rack.



MADE AND OWNED  
IN AUSTRALIA



# AXA-TIOM

Tiny Input Output Module

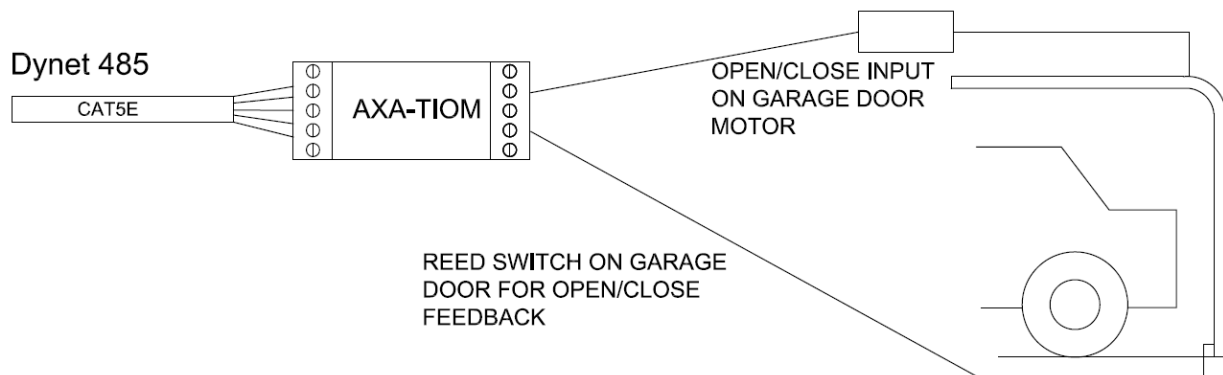
## FEATURES

- Easy Interface with variety of 3<sup>rd</sup> party devices
- 1 x volt free relay output
- 1 x 5-12VDC input
- DyNet control
- Compact size

## SPECIFICATIONS

- Relay Output 24V AC/DC 1AMP maximum
- Relay input 5-12VDC
- Current Draw from Dynet network  
Relay off 10mA  
Relay on 40mA

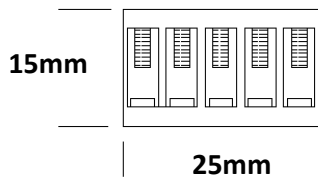
### AXA-TIOM INDICATIVE LAYOUT



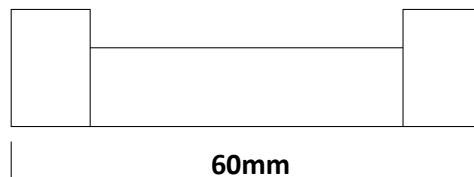
### AXA-TIOM TOP VIEW



### AXA-TIOM FRONT VIEW



### AXA-TIOM SIDE VIEW



### AXA-TIOM DYNET CONNECTIONS



1 2 3 4 5

- (1) +12 Volt
- (2) Data -
- (3) Data +
- (4) Ground
- (5) Shield

### AXA-TIOM RELAY CONNECTIONS



1 2 3 4 5

- (1) COM – Relay Common
- (2) NO – Relay Normally Open
- (3) IN- – Negative input
- (4) IN+ – 5-12 VDC positive Input
- (5) +12 – +12 Volt DC

**AXA DESIGN**



FOR FURTHER INFORMATION CONTACT:

**smartscape**  
connected lighting systems

PH: 07 3357 1922  
E: [info@ssqld.com.au](mailto:info@ssqld.com.au)  
W: [www.ssqld.com.au](http://www.ssqld.com.au)