

DDMC802

Multipurpose Modular Controller

Control different load types with one device

The Philips Dynalite DDMC802 provides up to eight configurable output channels, controlled by up to four interchangeable control modules.

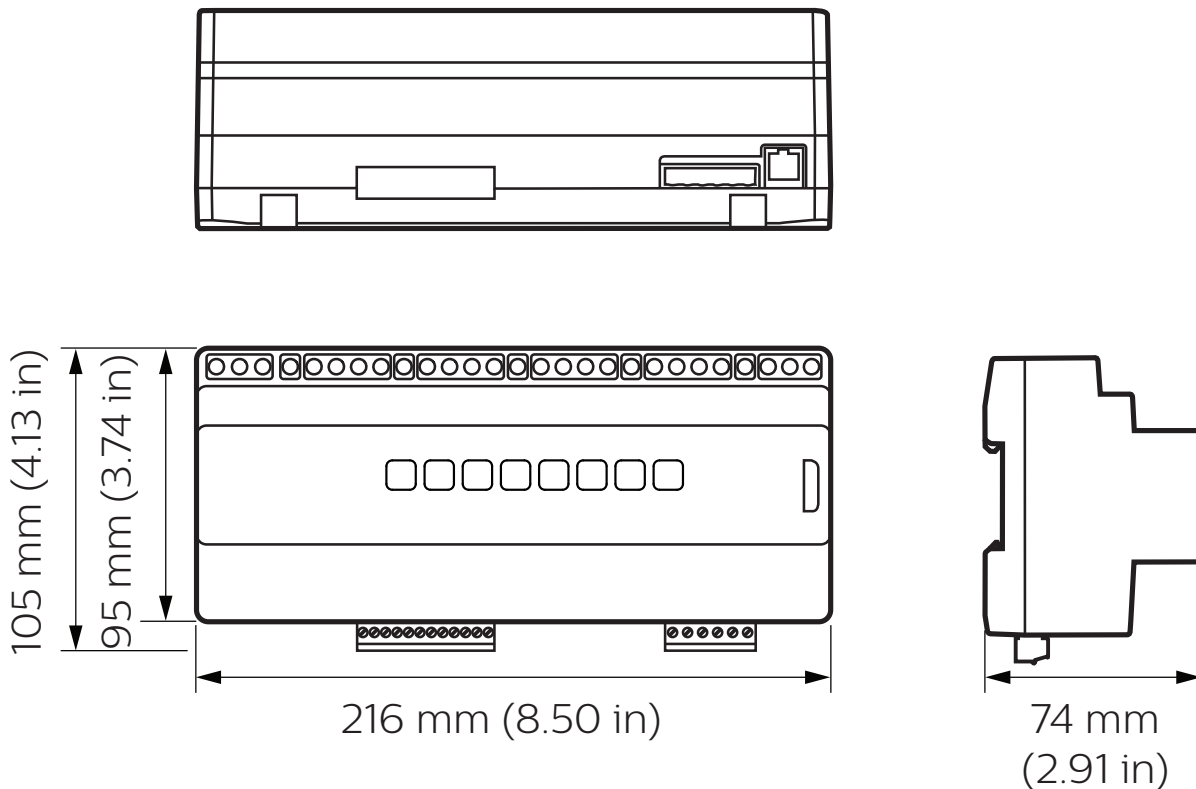
A selection of control modules is available for a variety of load types.

DDMC802

Control different load types with one device

- **Single controller solution** — Control a variety of load types from one device.
- **Four module bays** — Accommodates any combination of up to four single modules or two double-size modules.
- **Leading edge phase control dimmer module** — Suitable for use with incandescent lamps and some types of dimmable electronic transformers.
- **Trailing edge phase control dimmer module** — Suitable for use with most types of dimmable electronic transformers.
- **Signal dimmer control module** — Suitable for 1-10 V, DSI and DALI Broadcast control of digital drivers and transformers.
- **Relay control module** — Suitable for controlling most types of switched loads.
- **Fan control module** — 400 VA three-speed fan control.
- **Curtain control module** — Provides control of curtains, blinds and other motorized window treatments.
- **Flexible mounting solution** — A DIN-rail mountable device, designed to be installed into the distribution board supplying power to the controlled circuit.

Dimensions



Specifications

Due to continuous improvements and innovations, specifications may change without notice.



DDMC802 Multipurpose Modular Controller

Electrical

| | |
|-------------------------|---|
| Supply Type | Single phase |
| Supply Voltage | 100-240 VAC |
| Supply Current | 16 A |
| Outputs | 8 (4 x 2-channel module bays) |
| DyNet DC Output Voltage | 12 VDC |
| DyNet DC Output Current | 200 mA (supply for approximately 10 user interfaces) |
| Power Conditioning | Regulated outputs Overvoltage protection Surge protection Brownout / Sag protection Spike protection Soft start 16 bit fade resolution (65,536 steps) |
| Overvoltage Category | III |

Control

| | |
|----------------------|--|
| Serial Ports | 1 x RS-485 |
| Supported Protocols | DyNet DMX Rx |
| Dry Contact Inputs | 9 (8 + AUX) |
| Diagnostic Functions | Device online/offline status Circuit runtime tracking |
| User Controls | 1 x service switch 8 x manual override switches |
| Indicators | 1 x service LED 8 x channel status LED |

Physical

| | |
|-------------------------------------|--|
| Dimensions (H x W x D) | 105 x 216 x 74 mm (4.13 x 8.50 x 2.91 in) |
| Packed Weight | 0.52 kg (1.14 lb) |
| Construction | Polycarbonate DIN rail enclosure (12 unit) |
| Serial Ports | 1 x RJ12 1 x 6-way pluggable screw terminal |
| Serial Port Conductor Size | 2.5 mm ² (#12 AWG) (max) |
| Supply Terminals | 3 x screw terminal Line, Neutral, Earth |
| Supply Terminal Conductor Size | 5 mm ² (#10 AWG) (max) |
| Dry Contact Terminals | 1 x 12-way pluggable screw terminal |
| Dry Contact Terminal Conductor Size | 1.3 mm ² (#16 AWG) (max) |
| Load Terminals | 16 x screw terminal |
| Load Terminal Conductor Size | 5 mm ² (#10 AWG) (max) |

Environment*

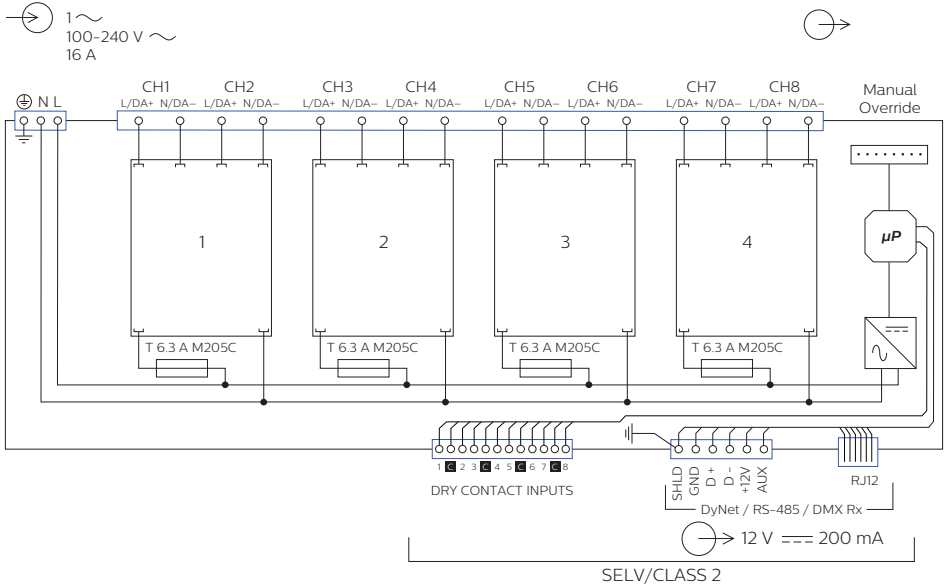
| | |
|-------------------------------|--------------------------------------|
| Operating Temperature | 0° to 40°C ambient (32° to 104°F) |
| Storage/Transport Temperature | -25° to 70°C ambient (-13° to 158°F) |
| Humidity | 0 to 90% non-condensing |
| IEC Pollution Degree | II |

Compliance

| | |
|---------------|--|
| Certification | CE, RCM, UL/cUL, FCC, ICES, UKCA, RoHS |
|---------------|--|

* For indoor installation only

Electrical



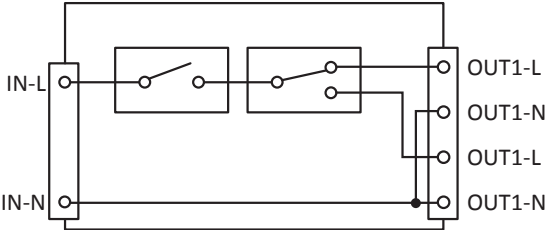
DGCM102

| | |
|-----------------|---------------------------------|
| Module Type | Motorized curtain/blind control |
| Output Channels | 1 |

Output Channel Ratings

| Load Type | Maximum Rating per Output |
|-------------|--|
| General Use | 2 A, 230 VAC |
| Motor x 1 | 4.4 FLA* (1/8 HP), 120 VAC 4.9 FLA* (1/8 HP), 230 VAC |

* Full Load Amps



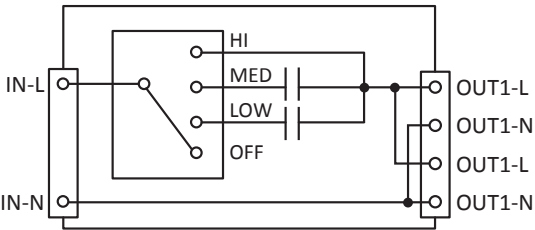
DGFM102

| | |
|-----------------|-------------|
| Module Type | Fan control |
| Output Channels | 1 |

Output Channel Ratings

| Load Type | Maximum Rating per Output |
|-----------|---------------------------|
| Motor x 1 | 400 VA, 230 VAC* |

*Not suitable for 120 VAC (Not UL listed)



DGRM204

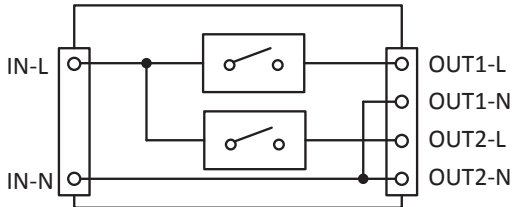
| | |
|-----------------|---------------|
| Module Type | Relay control |
| Output Channels | 2 |

General Load Limit

| | |
|---------------------|-----|
| Maximum Module Load | 5 A |
|---------------------|-----|

Output Channel Ratings

| Load Type | Maximum Rating per Output |
|---------------------|-----------------------------------|
| General Use | 4 A, 230 VAC |
| Incandescent | 600 W, 120 VAC 1100 W, 230 VAC |
| Standard Ballast | 2 A, 120 VAC |
| Electronic Ballasts | 4 A, 120 VAC 3 A, 230 VAC |
| Inrush Current | 100 A |

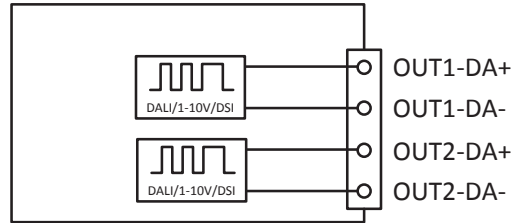


DGBM200

| | |
|---------------------|---|
| Module Type | Signal dimmer control |
| Output Channels | 2 |
| Supported Protocols | 1-10 V DSI DALI Broadcast Tunable White (DALI 209) |

Control Channel Ratings

| DALI/DSI | Channel | Device |
|--------------------|----------------------------|--------|
| Guaranteed Current | 10 mA | |
| Maximum Current | 250 mA | |
| Maximum Drivers | 5 | 10 |
| Insulation | Basic | |
| 1-10 V | | |
| Channel | | |
| Current | sink 10 mA source 10 mA | |



! Suitable for Class 1 or Class 2 wiring

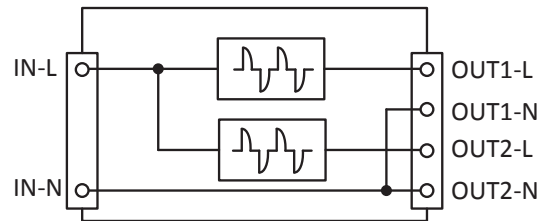
DGLM202

| | |
|---------------------|---------------------|
| Module Type | Leading edge dimmer |
| Output Channels | 2 |
| Maximum Module Load | 4 A |

Output Channel Ratings

| Load Type | Maximum Rating per Output |
|---------------------|---------------------------|
| Incandescent | |
| Standard Ballast | 2 A, 120 / 230 VAC |
| Electronic Ballast* | |

* Can be limited by load capacitance



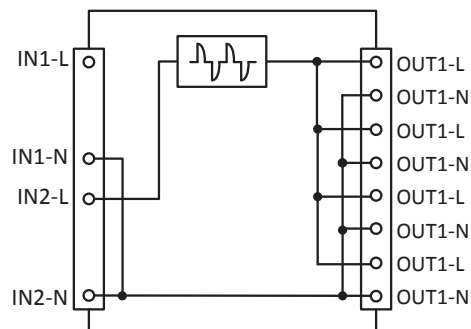
DGLM105 (Double size module)

| | |
|-----------------|---------------------|
| Module Type | Leading edge dimmer |
| Output Channels | 1 |

Output Channel Ratings

| Load Type | Maximum Rating per Output |
|---------------------|---------------------------|
| Incandescent | |
| Standard Ballast | 5 A, 120 / 230 VAC |
| Electronic Ballast* | |

* Can be limited by load capacitance



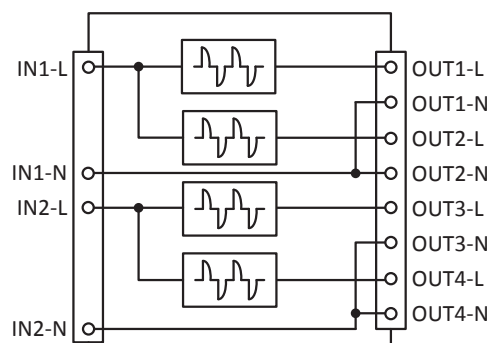
DGLM402 (Double size module)

| | |
|---------------------|---------------------|
| Module Type | Leading edge dimmer |
| Output Channels | 4 |
| Maximum Module Load | 8 A |

Output Channel Ratings

| Load Type | Maximum Rating per Output |
|---------------------|---------------------------|
| Incandescent | |
| Standard Ballast | 2 A, 120 / 230 VAC |
| Electronic Ballast* | |

* Can be limited by load capacitance



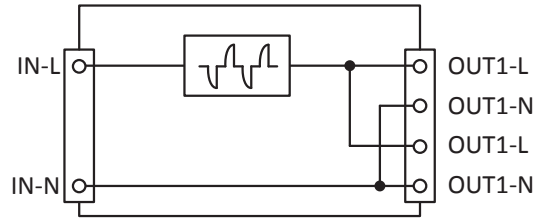
DGTM104

| | |
|-----------------|----------------------|
| Module Type | Trailing edge dimmer |
| Output Channels | 1 |

Output Channel Ratings

| Load Type | Maximum Rating per Output |
|--------------------|---------------------------|
| Incandescent | 4 A, 120(UL) / 230 VAC |
| Electronic Ballast | |

Not compatible with magnetic transformers



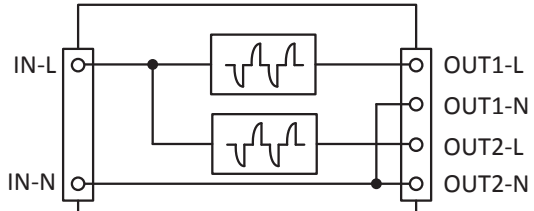
DGTM202

| | |
|---------------------|----------------------|
| Module Type | Trailing edge dimmer |
| Output Channels | 2 |
| Maximum Module Load | 4 A |

Output Channel Ratings

| Load Type | Maximum Rating per Output |
|--------------------|---------------------------|
| Incandescent | 2 A, 120(UL) / 230 VAC |
| Electronic Ballast | |

Not compatible with magnetic transformers



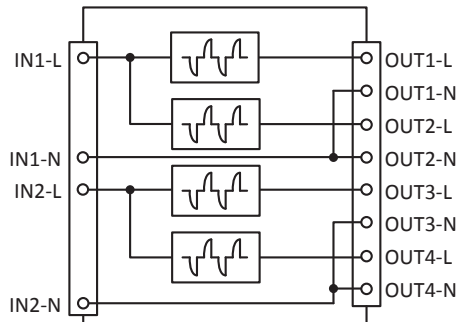
DGTM402 (Double size module)

| | |
|---------------------|----------------------|
| Module Type | Trailing edge dimmer |
| Output Channels | 4 |
| Maximum Module Load | 8 A |

Output Channel Ratings

| Load Type | Maximum Rating per Output |
|--------------------|---------------------------|
| Incandescent | 2 A, 120(UL) / 230 VAC |
| Electronic Ballast | |

Not compatible with magnetic transformers



Ordering Code

Product

| | | |
|------------|--------------|--------------|
| DDMC802 | Philips 12NC | 913703243509 |
| DDMC802-CE | | 913703369309 |

Modules

| | |
|---------|--------------|
| DGCM102 | 913703024409 |
| DGFM102 | 913703026709 |
| DGRM204 | 913703261109 |
| DGBM200 | 913703261209 |
| DGLM105 | 913703260809 |
| DGLM202 | 913703260909 |
| DGLM402 | 913703261009 |
| DGTM104 | 913703260609 |
| DGTM202 | 913703260709 |
| DGTM402 | 913703024309 |



© 2022 Signify Holding. All rights reserved. Specifications are subject to change without notice. No representation or warranty as to the accuracy or completeness of the information included herein is given and any liability for any action in reliance thereon is disclaimed. Philips and the Philips Shield Emblem are registered trademarks of Koninklijke Philips N.V. All other trademarks are owned by Signify Holding or their respective owners.