

MLS Digital - Networked Managed Lighting System

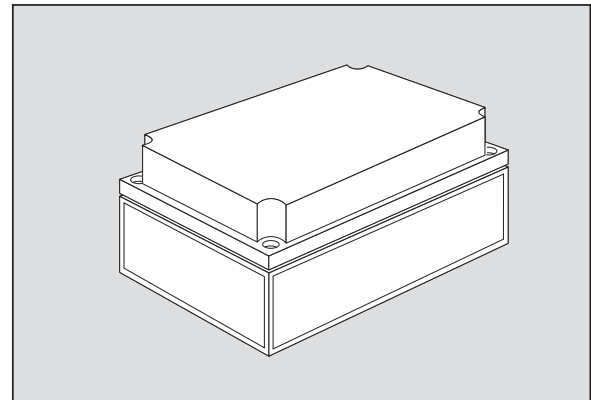
## ESRB2000LT - Bus Power Supply 'Lite'

### Overview

The ESRB2000LT is a low-cost Bus Power Supply for small buildings, or areas with fewer than 100 MLS devices (e.g. presence detectors).

In keeping with the low-cost theme, the ESRB2000LT can accept inputs from ordinary wall switches to manually override presence detectors (2000 series only, programmed to zones 1 and/or 2).

The ESRB2000LT is compatible with both 1200 and 2000 Series presence detectors and accessories, however only one series type can be supported at any one time.



### Wiring the MLS Network

The MLS network consists of an unscreened twisted-pair which connects the bus power supply to every MLS device.

The MLS Bus may be wired in a free topology. Please read Application Note AN4001 for a guide to wiring topology and cable types.

### Features

**Commissioning Mode** - Enables easy testing of Bus functionality.

**Switch Inputs** - Appropriately programmed devices respond to switch inputs On, Off, Raise and Lower Light Level.

Up to 100 devices per ESRB2000LT system.

**Please refer to MLS Wiring Application Guide AN4001 for further detailed information regarding cable choice, wiring and system installation.**

<b>MLS bus cable:</b>	Recommended - mains-rated unscreened twisted pair 1.5mm <sup>2</sup>
<b>Allowable bus length:</b>	Not to exceed 1500m
<b>Manual Wall Switching:</b>	Any type of cable may be used, no practical limit to length
<b>Connection:</b>	Detectors may be connected in any order. Short spurs are permissible but are best avoided as they will not be checked during the integrity test. Accurate as-fitted records will assist in fault finding.
<b>Mains wiring:</b>	The bus may run with mains wiring provided unscreened twisted-pair is used.
<b>Dimensions:</b>	125 x 175 x 75mm
<b>Weight:</b>	112g

