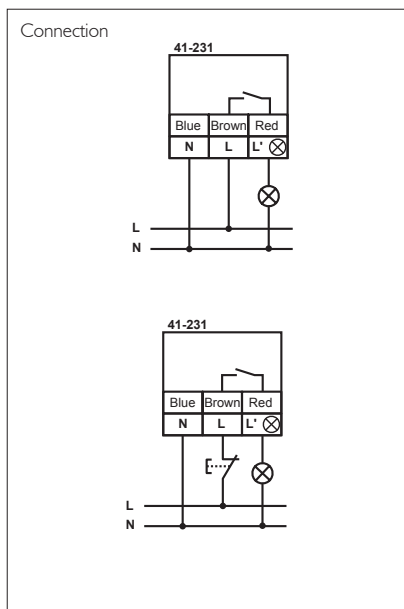


### Minilux motion detector (230 V) for outdoor lighting control

- 230 V connection
- Detection angle 180°
- Detection range up to 14 meters
- Time delay up to 30 mins.
- Setting of lux, time and meters below cover
- Facility to block detection range



### Technical data



#### Input

Supply voltage 230 V ± 10 % 50 Hz  
Power consumption 0.6 W

#### Output

Relay contact NO,  $\mu$ 10 A  
Starting peak 80 A/20 ms  
Compensation capacity 140  $\mu$ F

#### Load

Incandescent lamps 2300 W  
Fluorescent tubes, not compensated 1200 VA  
Halogen incandescent lamps 2300 W

#### Performance

Detection angle 180°  
Detection range 41-231 0-14 meter  
Detection range 41-231/AN 0-11 meter  
Time delay 8 sec...30 min  
Lux range 5...∞ lux  
Protection class IP 54  
Insulation class Class II  
Ambient temperature -20° C...+45° C  
Cable entry 2 x  $\varnothing$ 12.5 mm bushes fitted  
Colour 41-231 white, Ral 9010  
41-231/AN antracit, Ral  
Material UV-resistant ASA-plast

#### Approvals

CE according to EN 60669-2-1

The detector has an integrated light sensor, which guarantees that the lighting is only switched on when detecting people in motion and the daylight level (lux level) is below the preset level.

The lighting remains switched on as long as moving people are detected.

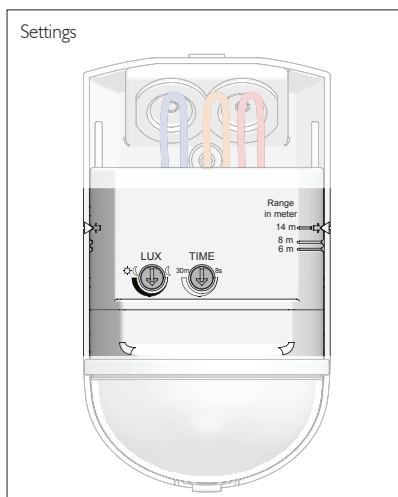
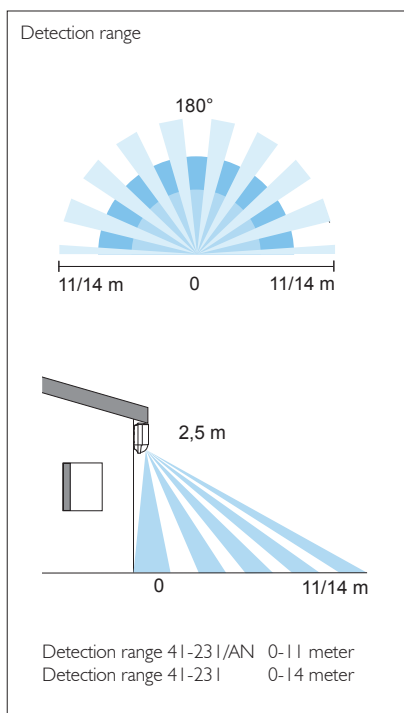
The detector's integrated timer is used to set the required time delay, which ensures that the light remains on for a period after the last person has left.

Recommended installation height: 2-3 m. At 2.5 m the detector has a range of 14 m over 180°.

A switch can be integrated if manual activation is required. The button must be activated for >4 seconds in order for the detector to be switched on. The detector will switch on independently of lux, and the light will remain on in the set time.

The detector can be fitted directly to a wall.

The enclosed cover can be used if you wish to screen off an area from detection.



### Order number

Product	Type	EAN no.
Motion detector white	41-231	5703102 203335
Motion detector antracit	41-231/AN	5703102 205964