

# zencontrol

## Inline blind controller datasheet



### Product range

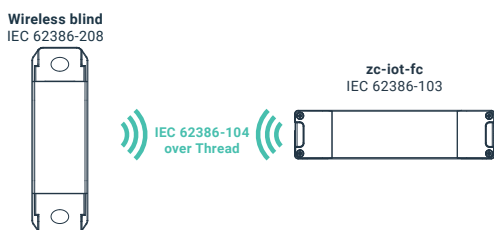
Order code	Description
zc-smart-blind	Wired / wireless blind controller

#### Features

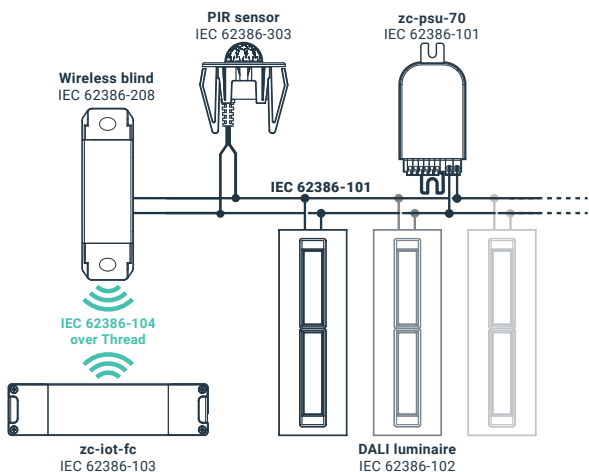
- For use with DALI control system
- Compatible with DALI and DALI-2
- Supports IEC 62386-104 over Thread®
- Compliant to IEC 62386-208
- Protected against DALI over voltage
- DALI device type 7

### System overview: modes

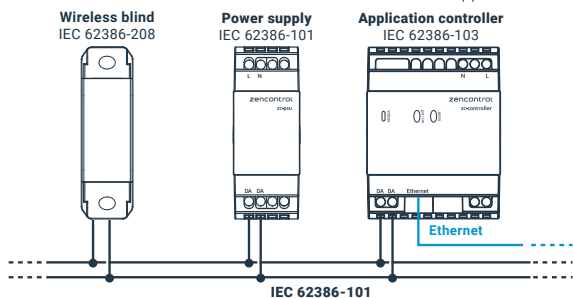
1 **104 mode** is enabled after the device has been added to a 104 application controller such as zc-iot-fc.



2 **104 + 101** Bridge mode is enabled after the device has been added to a 104 controller and a 101 power supply has been connected to the DALI terminals.



3 **101 mode** is enabled after a 101 power supply has been connected to the DALI terminal and the device **has not** been added to a 104 application controller.

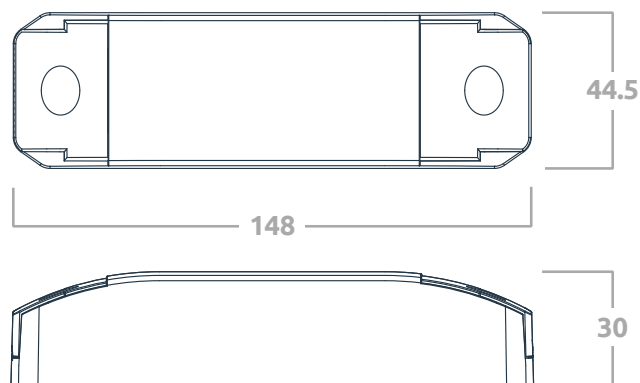


### Specifications

Supply voltage	230 V ~ 50 Hz	
Control system	Wired DALI-2 Wireless IEC62386-104 over Thread	
Radio support	IEEE 802.15.4	
Frequency band	2.4 GHz	
Max radio tx power	+8 dBm	
DALI line current	2 mA	
Wiring	1 - 4 mm <sup>2</sup> Strip 6 - 7 mm	
Motor control	375 W / ½ HP 1.6 A inductive load	
Operating temperature	0 to 55°C	
Material	PC	
Classification	Class II	
Mounting	Independently mounted control for surface mounting	
Ingress protection	IP20	
Compliance standards	IEC 60669-2-1 IEC 60950-1 IEC 62386-104 IEC 62386-208	EN 55015 EN 55022 CISPR 15

### Dimensions

Fixing centres	125 mm
Dimensions	W148 / H30 / D44.5 mm



### Wiring

