




## Smart switch display **datasheet**



 **Customisable**  
icons and labels,  
languages and  
colours

### Features

- 2 mA DALI line current
- Full colour touch screen
- Up to 5 units per DALI line
- Per page language settings
- Simple Cloud commissioning
- Multiple scenes and set-ups available
- Inbuilt wireless bridge for control of downstream DALI devices



### Touch screen

1 to 4 buttons, 100+ icons, custom labels



### Motion sensor

Switch detects proximity when in standby mode



### Wireless interface

Mesh models do not require a local control interface



### Glass front

Anodised aluminium and seamless glass for easy clean



## Smart switch display **datasheet**



### Product range

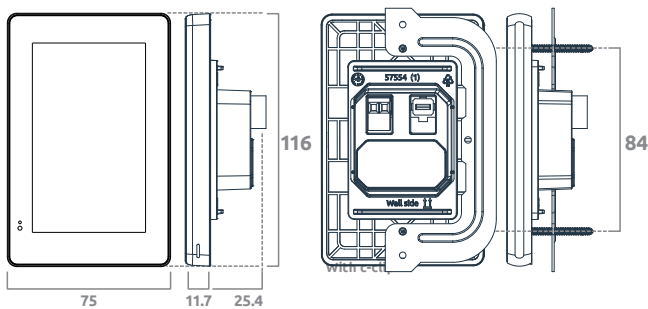
Order code	Description
<b>zc-ssd-blk</b>	Smart switch with programmable touch display, black, to suit 84 mm wall mount

### Features

- 1 to 4 buttons per page, up to 4 pages
- Multiple scenes and set-ups available
- 100+ icons and custom labels
- Simple Cloud commissioning
- Per page language settings
- Up to 5 units per DALI line
- Full-colour touch screen
- 2 mA DALI line current
- Inbuilt wireless bridge for control of downstream DALI devices

### Dimensions

<b>Fixing centres</b>	84 mm	<b>Frame thickness</b>	11.7 mm
<b>Dimensions</b>	W75 / H116 / D37 mm	<b>Screen size</b>	52 x 87 mm



### Specifications

<b>Supply</b>	240 V
<b>Supply current</b>	4 mA
<b>Control system</b>	DALI-2
<b>DALI line current</b>	2 mA
<b>Wiring</b>	1 - 4 mm <sup>2</sup> Strip 8 - 10 mm
<b>Operating temperature</b>	0 to 45°C
<b>Material</b>	Anodised aluminium, toughened glass
<b>Ingress protection</b>	IP20
<b>Compliance standards</b>	IEC 61347-2-11 CISPR 15 IEC 62386-301 EMC-2004/108/EC LVD-2006/95/EC

### Notice

- The DALI line is not SELV. It must be treated like LV mains and treated with the same precautions and wiring regulations.
- zencontrol Application controllers support up to 80 pushbutton instances per line
- A zc-ssd-blk with every button enabled will consume 1ECD address with 16 pushbutton instances